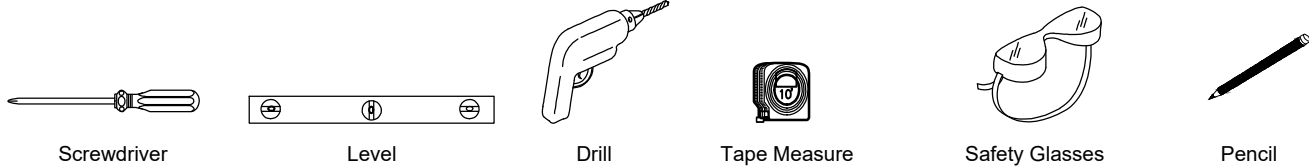


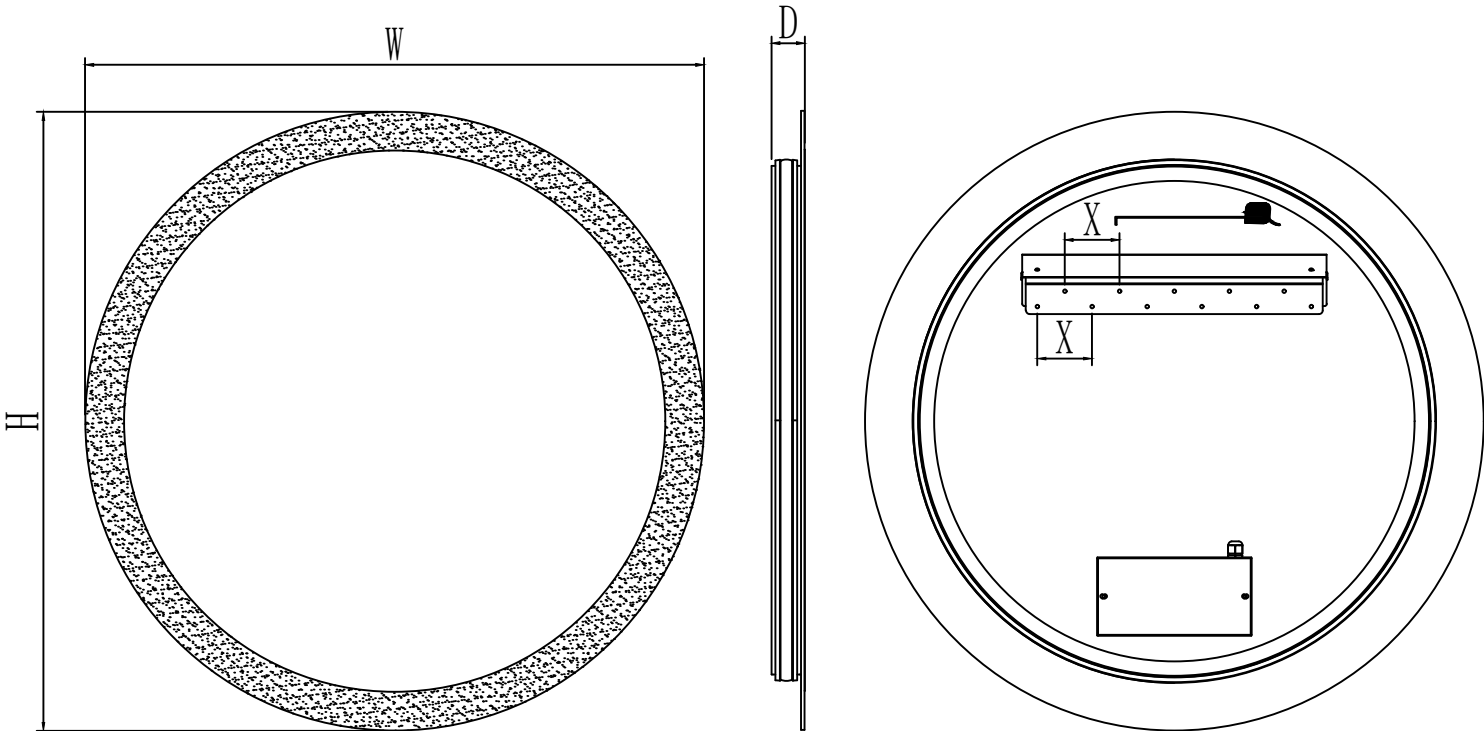
# Installation Instructions

**AURA-3232-RD/AURA-4040-RD**

**SUGGESTED TOOLS AND MATERIALS**



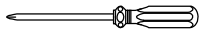
**PARTS & HAREWARE INCLUDED**



# Installation Instructions

**AURA-3232-RD/AURA-4040-RD**

## SUGGESTED TOOLS AND MATERIALS



Screwdriver



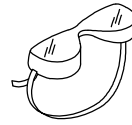
Level



Drill



Tape Measure



Safety Glasses



Pencil

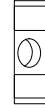
## PARTS & HAREWARE INCLUDED



Anchor 6x



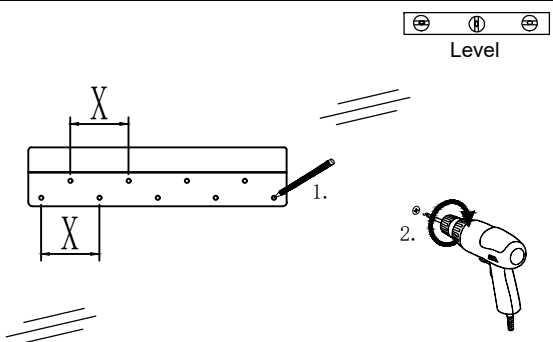
Screw 6x



Level 1x

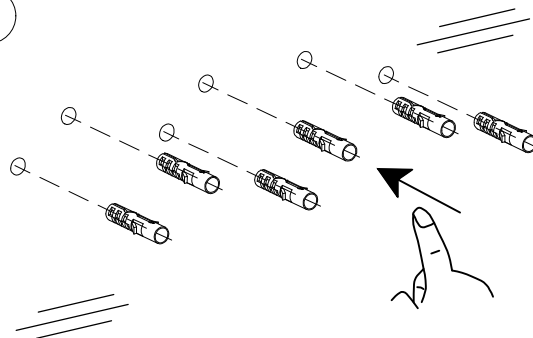
## INSTALLATION INSTRUCTIONS

①



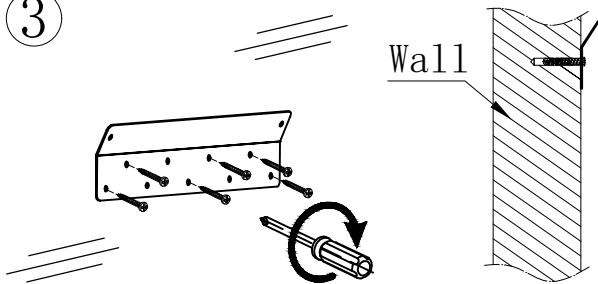
1>Level the hanging cleat with a level ruler and mark the installation hole position of the hanging cleat with a pencil  
2>Drill holes

②



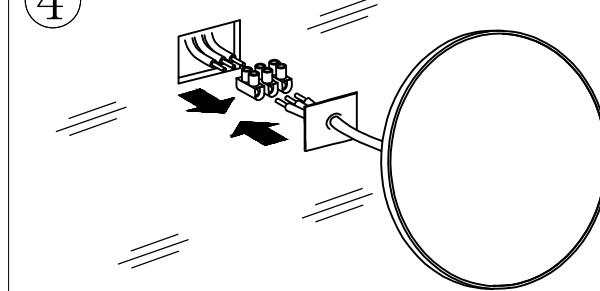
Insert the anchors into the wall(Use at least 5 anchors).

③



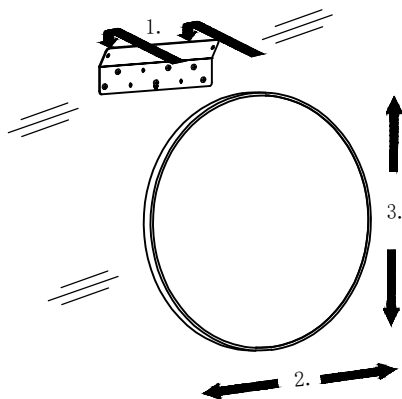
Install the hanging cleat into the wall.  
Use 5x45mm screws to hanging cleat to wall(Use at least 5 screws).

④



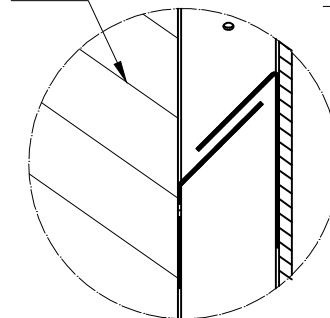
Wiring from light fitting			
Neutral Wire			white(N)
Earth(green/yellow)			Green/yellow
Live Wire			black(L)

⑤



Hang the mirror onto the wall.

Wall



DETAIL A

Wall

